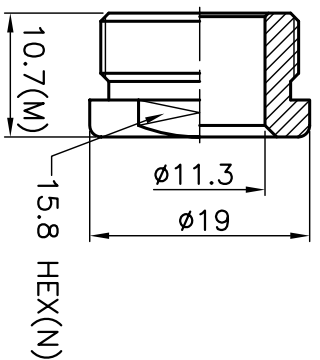
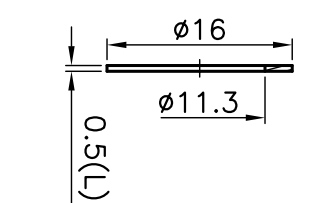
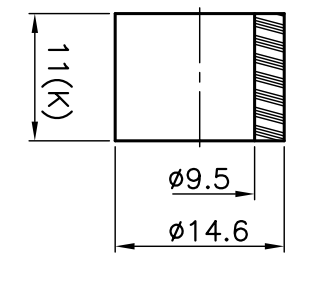
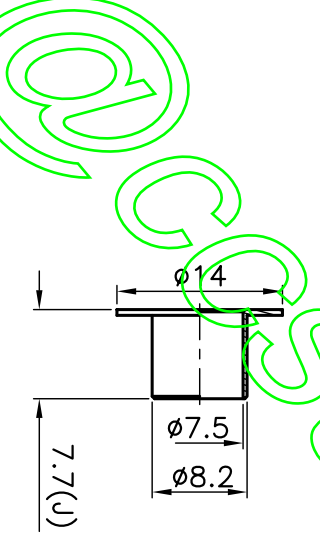
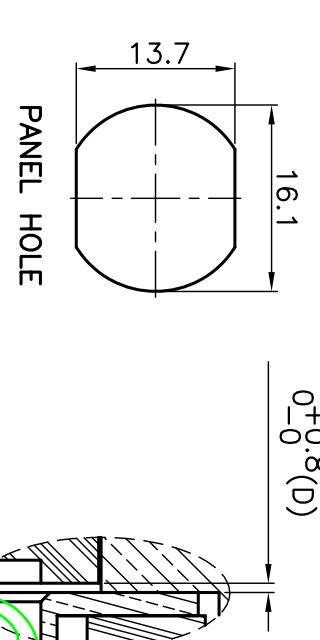
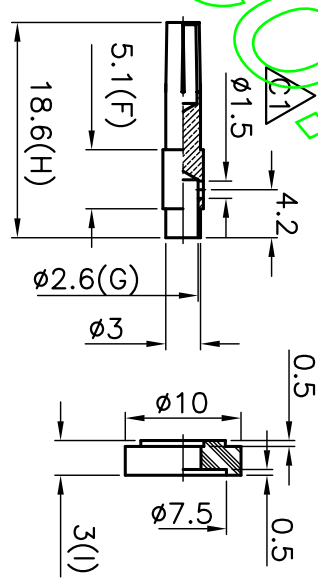
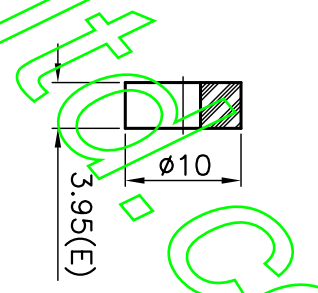
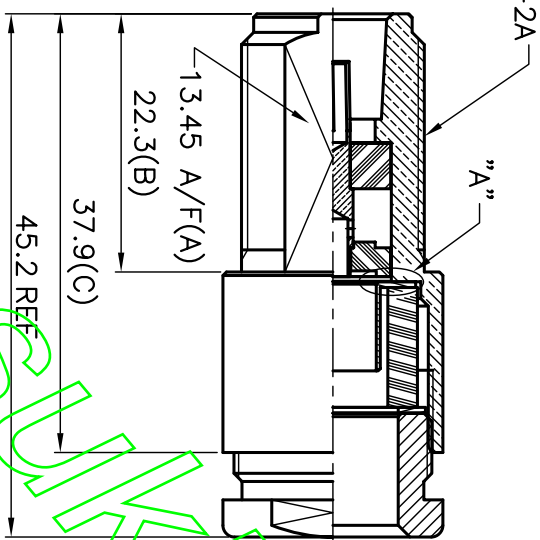
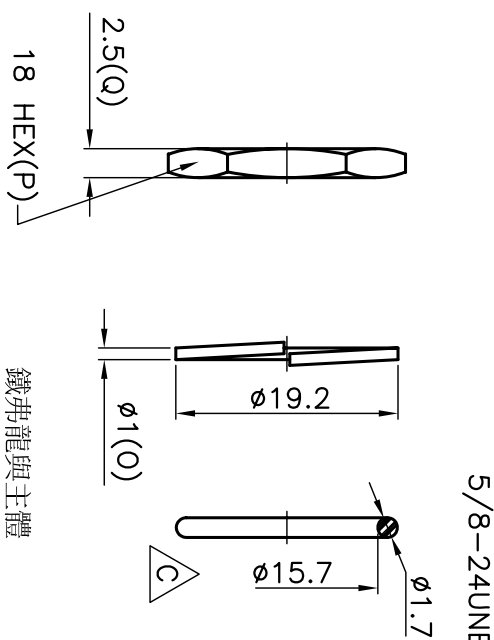


ISS	REVISIONS
	DESCRIPTION \ DATE
C	增加零件 PANEL SEAL \ 04/26/10"
C1	中心銅 SOLDER HOLE 1.0mm 改為 1.5mm \ 03/21/12"

RoHS COMPLIANT



**CONNECTORS CABLES**  
**ROHS**  
**SPECIALIST LTD.**

TITLE: N FEMALE BULKHEAD CLAMP  
(FOR RG214, RG213)

PART NO: NBJSC21401

DR. NO:

APRD:	UNLESS OTHERWISE SPECIFIED TOLERANCES
CHKD:	0.5-6 = ±0.2
DR:	>6-30 = ±0.4
	>30-120 = ±0.6
	>120-315 = ±1.0
	>315-1000 = ±1.6
	ANGLES = ±5°

DATE: 03/21/12"  
UNIT: mm  
SCALE: 1.5/1

NO.	DESCRIPTION	MATERIAL	FINISH
	NUT	BRASS	NICKEL
	LOCK WASHER	STEEL	NICKEL
	GASKET	RUBBER	RED
	NUT	BRASS	NICKEL
	WASHER	BRASS	NICKEL
	GASKET	SILICONE	WHITE
	TOP HAT	BRASS	NICKEL
	INSULATOR	TEFLON	WHITE
	CONTACT PIN	PHOSPHOR BRONZE	GOLD
	INSULATOR	TEFLON	WHITE
	BODY	BRASS	NICKEL
			FINISH